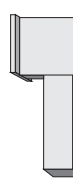
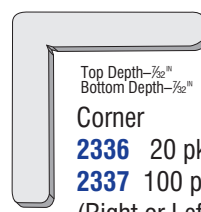




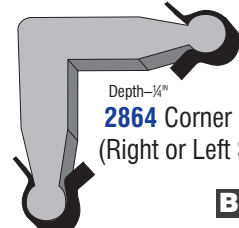

Depth- $\frac{3}{8}$ "
5830 Corner
(Right or Left Side)
Use with:
5921 Tilt Keys



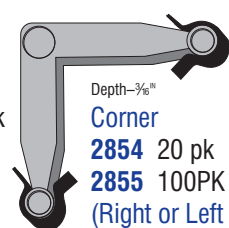
Depth- $\frac{3}{8}$ "
5800 20 pk
5801 100pk
(Right or Left Side)
Use with:
5901 Tilt Keys **F**



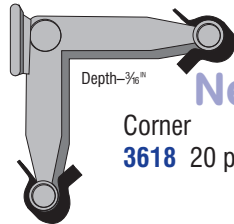
Top Depth- $\frac{7}{32}$ "
Bottom Depth- $\frac{7}{32}$ "
Corner
2336 20 pk
2337 100 pk
(Right or Left Side)



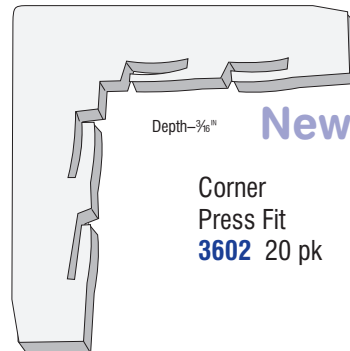
Depth- $\frac{1}{4}$ "
2864 Corner 20 pk
(Right or Left Side) **B**



Depth- $\frac{3}{8}$ "
Corner
2854 20 pk
2855 100PK
(Right or Left Side) **B**
Use with: Tilt Keys 2947



Depth- $\frac{3}{8}$ " **New**
Corner
3618 20 pk



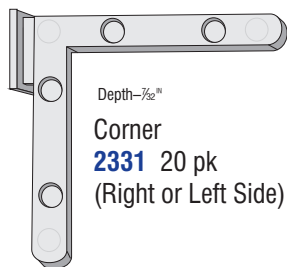
Depth- $\frac{3}{8}$ " **New**
Corner
Press Fit
3602 20 pk



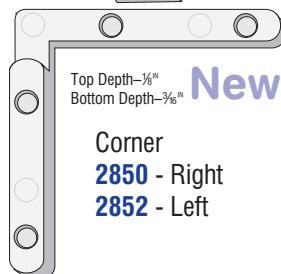
Depth- $\frac{1}{4}$ " **New**
Corner Key
2896 20 pk



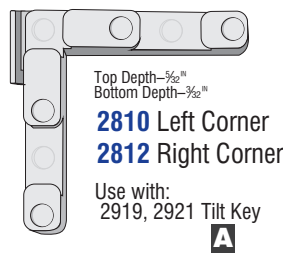
New
Corner
3606 20 pk



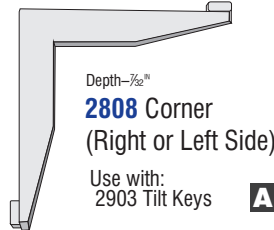
Depth- $\frac{7}{32}$ "
Corner
2331 20 pk
(Right or Left Side)



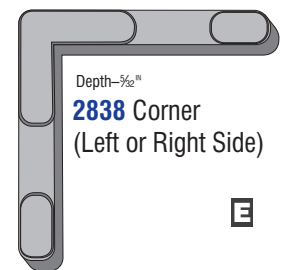
Top Depth- $\frac{1}{8}$ "
Bottom Depth- $\frac{3}{8}$ " **New**
Corner
2850 - Right
2852 - Left



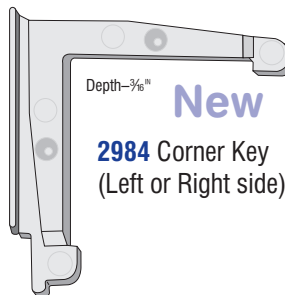
Top Depth- $\frac{5}{16}$ "
Bottom Depth- $\frac{3}{8}$ "
Corner
2810 Left Corner
2812 Right Corner
Use with:
2919, 2921 Tilt Key **A**



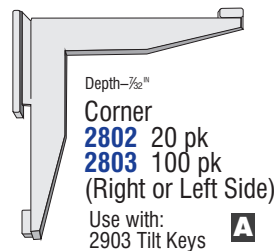
Depth- $\frac{7}{32}$ "
2808 Corner
(Right or Left Side)
Use with:
2903 Tilt Keys **A**



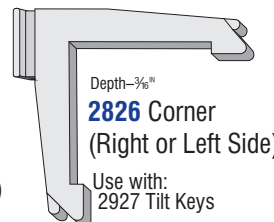
Depth- $\frac{5}{8}$ "
2838 Corner
(Left or Right Side) **E**



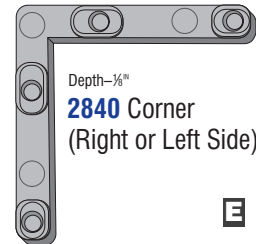
Depth- $\frac{3}{8}$ " **New**
2984 Corner Key
(Left or Right side)




Depth- $\frac{7}{32}$ "
Corner
2802 20 pk
2803 100 pk
(Right or Left Side)
Use with:
2903 Tilt Keys **A**



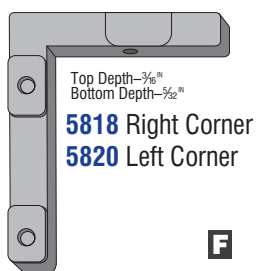
Depth- $\frac{3}{8}$ "
2826 Corner
(Right or Left Side)
Use with:
2927 Tilt Keys **E**



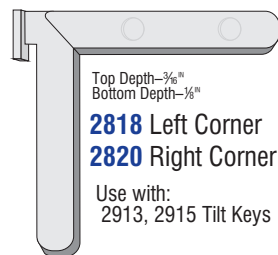
Depth- $\frac{3}{8}$ "
2840 Corner
(Right or Left Side) **E**



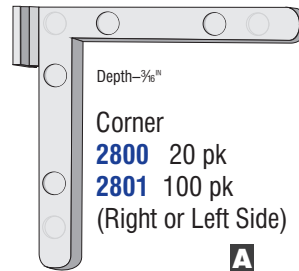
5836 Left Corner
5838 Right Corner
For Sears® windows



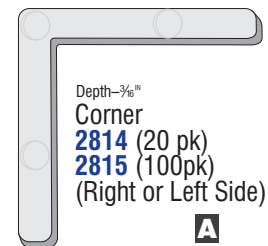
Top Depth- $\frac{3}{8}$ "
Bottom Depth- $\frac{3}{8}$ "
5818 Right Corner
5820 Left Corner **F**



Top Depth- $\frac{3}{8}$ "
Bottom Depth- $\frac{1}{8}$ "
2818 Left Corner
2820 Right Corner
Use with:
2913, 2915 Tilt Keys



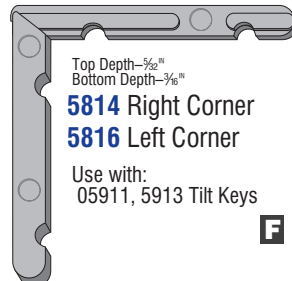
Depth- $\frac{3}{8}$ "
Corner
2800 20 pk
2801 100 pk
(Right or Left Side) **A**



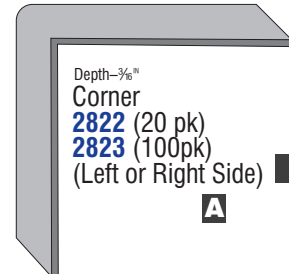
Depth- $\frac{3}{8}$ "
Corner
2814 (20 pk)
2815 (100pk)
(Right or Left Side) **A**



Depth- $\frac{3}{8}$ "
2824 Corner
(Right or Left Side)
Use with:
2925 Tilt Keys **F**



Top Depth- $\frac{5}{16}$ "
Bottom Depth- $\frac{3}{8}$ "
5814 Right Corner
5816 Left Corner
Use with:
05911, 5913 Tilt Keys **F**



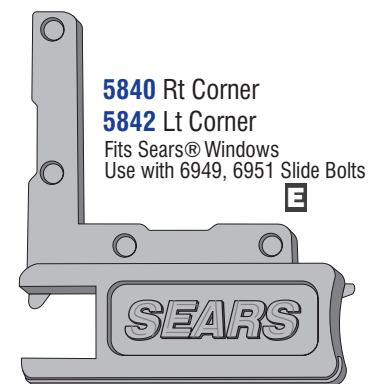
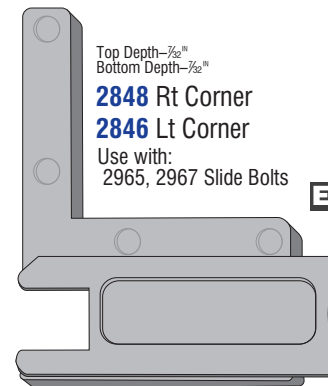
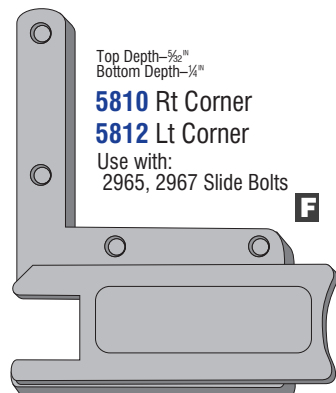
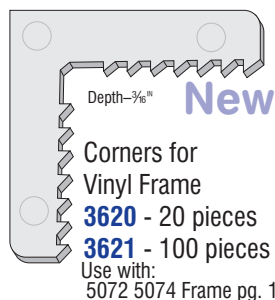
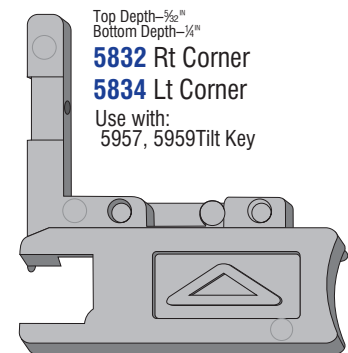
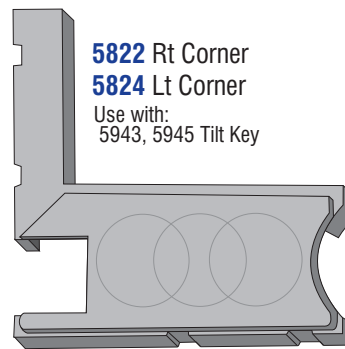
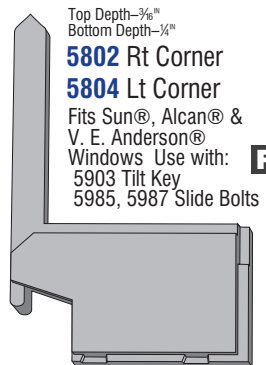
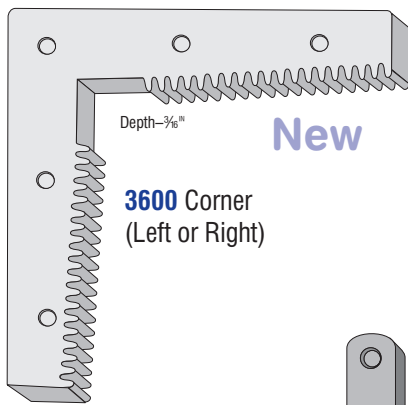
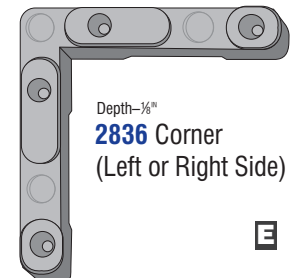
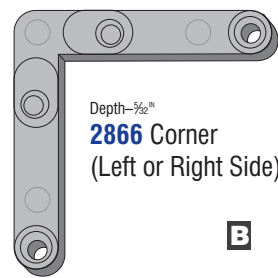
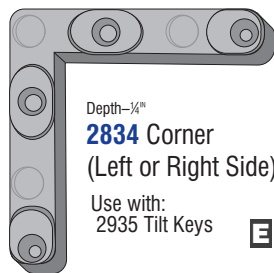
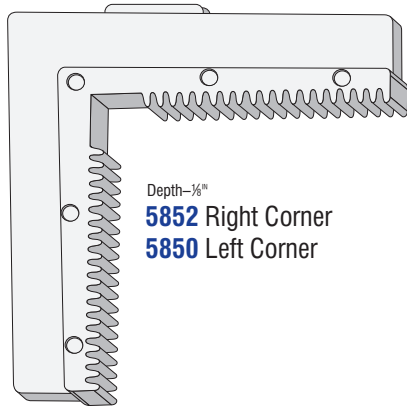
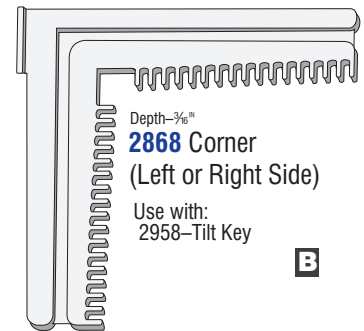
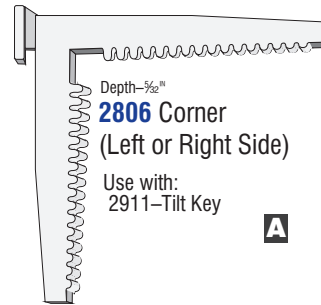
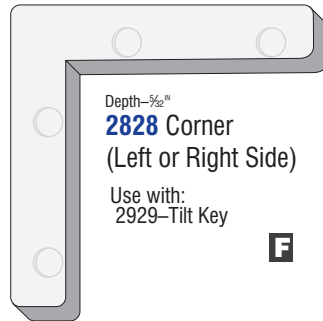
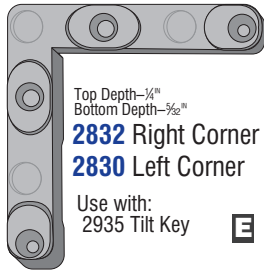
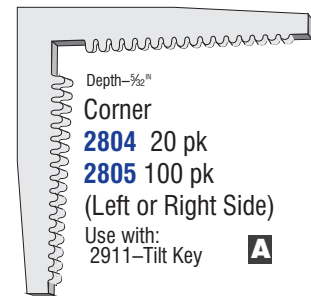
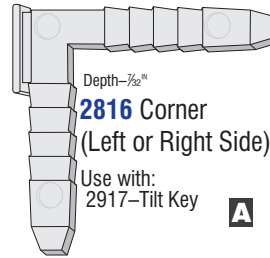
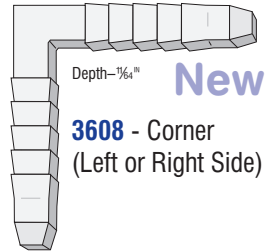
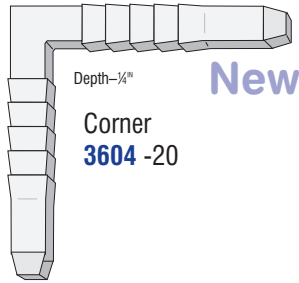
Depth- $\frac{3}{8}$ "
Corner
2822 (20 pk)
2823 (100pk)
(Left or Right Side) **A**

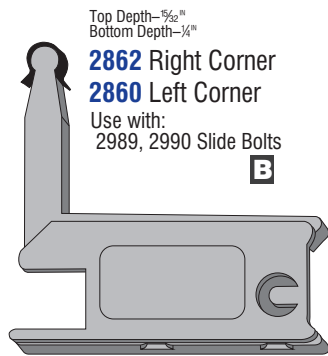
All Corner Keys, and Tilt Keys are packed in 20 count bags unless otherwise noted.



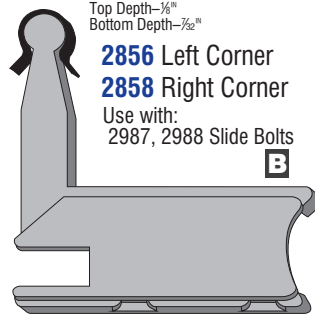


All Corner Keys and Tilt Keys packed 20ea unless otherwise noted

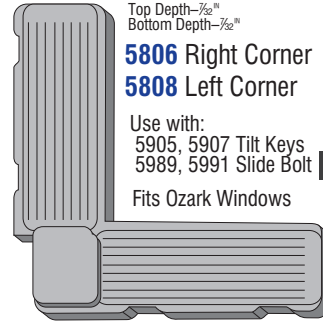




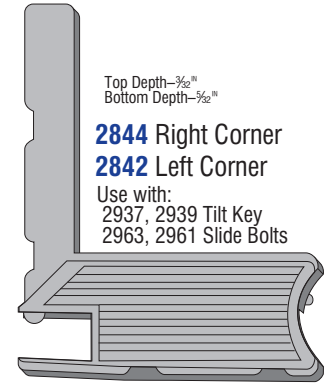
Top Depth— $\frac{5}{32}$ "
Bottom Depth— $\frac{1}{4}$ "
2862 Right Corner
2860 Left Corner
Use with:
2989, 2990 Slide Bolts
B



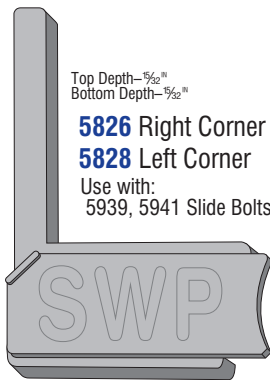
Top Depth— $\frac{1}{8}$ "
Bottom Depth— $\frac{3}{32}$ "
2856 Left Corner
2858 Right Corner
Use with:
2987, 2988 Slide Bolts
B



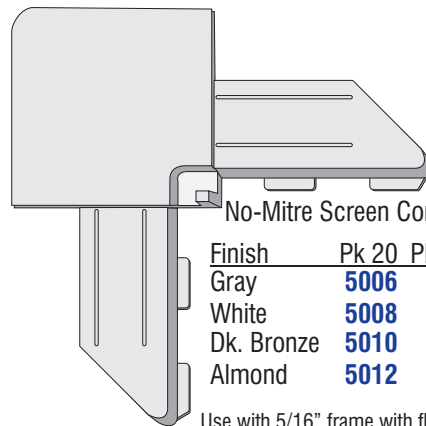
Top Depth— $\frac{7}{32}$ "
Bottom Depth— $\frac{7}{32}$ "
5806 Right Corner
5808 Left Corner
Use with:
5905, 5907 Tilt Keys
5989, 5991 Slide Bolt
F
Fits Ozark Windows



Top Depth— $\frac{3}{32}$ "
Bottom Depth— $\frac{3}{32}$ "
2844 Right Corner
2842 Left Corner
Use with:
2937, 2939 Tilt Key
2963, 2961 Slide Bolts



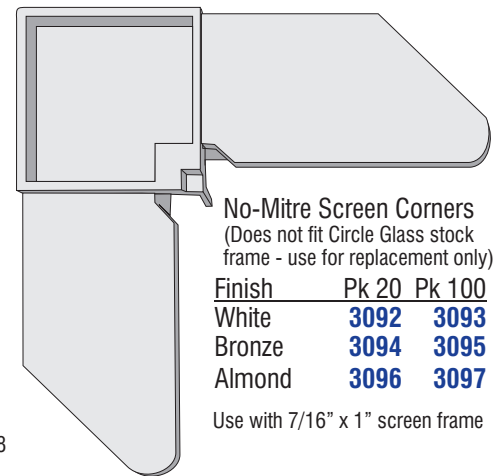
Top Depth— $\frac{5}{32}$ "
Bottom Depth— $\frac{9}{32}$ "
5826 Right Corner
5828 Left Corner
Use with:
5939, 5941 Slide Bolts



No-Mitre Screen Corners

Finish	Pk 20	Pk 100
Gray	5006	5007
White	5008	5009
Dk. Bronze	5010	5011
Almond	5012	5013

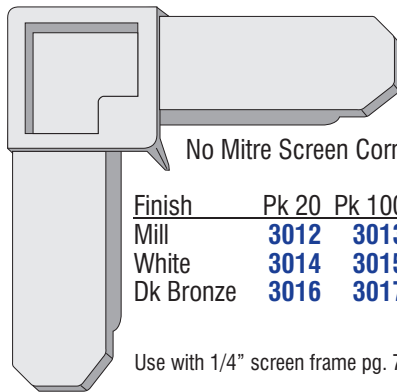
Use with 5/16" frame with flange pg. 8



No-Mitre Screen Corners
(Does not fit Circle Glass stock frame - use for replacement only)

Finish	Pk 20	Pk 100
White	3092	3093
Bronze	3094	3095
Almond	3096	3097

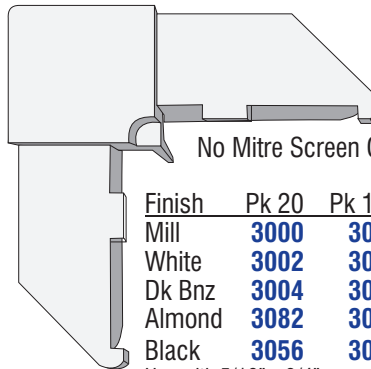
Use with 7/16" x 1" screen frame



No Mitre Screen Corners

Finish	Pk 20	Pk 100
Mill	3012	3013
White	3014	3015
Dk Bronze	3016	3017

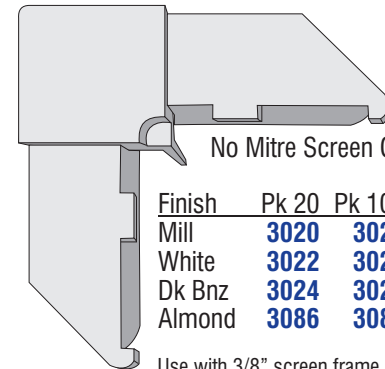
Use with 1/4" screen frame pg. 7.



No Mitre Screen Corners

Finish	Pk 20	Pk 100
Mill	3000	3001
White	3002	3003
Dk Bnz	3004	3005
Almond	3082	3083
Black	3056	3057

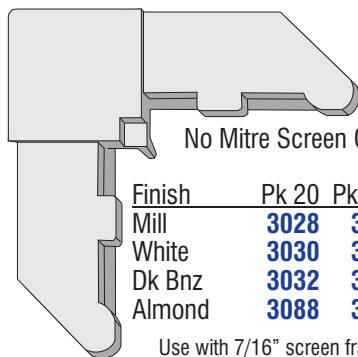
Use with 5/16" x 3/4" screen frame pg. 8.



No Mitre Screen Corners

Finish	Pk 20	Pk 100
Mill	3020	3021
White	3022	3023
Dk Bnz	3024	3025
Almond	3086	3087

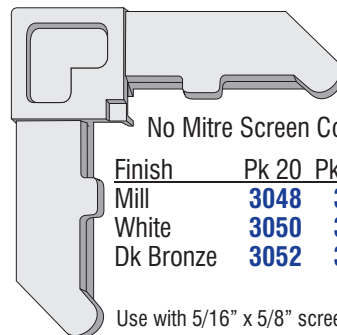
Use with 3/8" screen frame pg. 9.



No Mitre Screen Corners

Finish	Pk 20	Pk 100
Mill	3028	3029
White	3030	3031
Dk Bnz	3032	3033
Almond	3088	3089

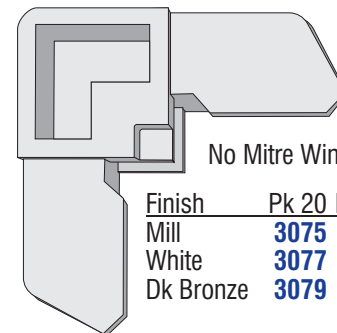
Use with 7/16" screen frame pg. 8.



No Mitre Screen Corners

Finish	Pk 20	Pk 100
Mill	3048	3049
White	3050	3051
Dk Bronze	3052	3053

Use with 5/16" x 5/8" screen frame pg. 8.



No Mitre Window Corners

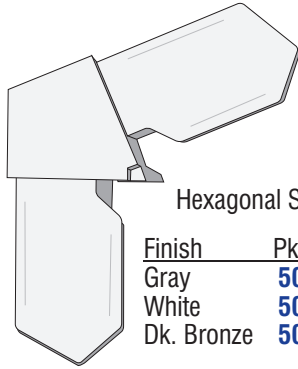
Finish	Pk 20	Pk 100
Mill	3075	3076
White	3077	3078
Dk Bronze	3079	3080

Use with 3/8" window frame pg.10





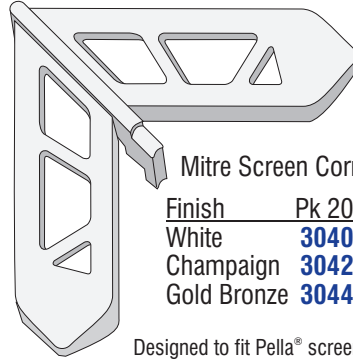
All Corner Keys and Tilt Keys are packed 20ea unless otherwise noted



Hexagonal Screen Corners

Finish	Pk 20	Pk 100
Gray	5000	5001
White	5002	5003
Dk. Bronze	5004	5005

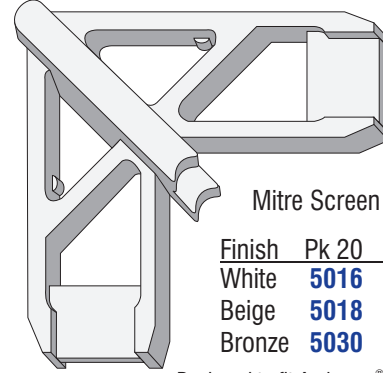
Use with 7/16" screen frame pg.8.



Mitre Screen Corners

Finish	Pk 20
White	3040
Champaign	3042
Gold Bronze	3044

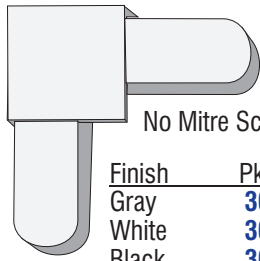
Designed to fit Pella® screen frame



Mitre Screen Corners

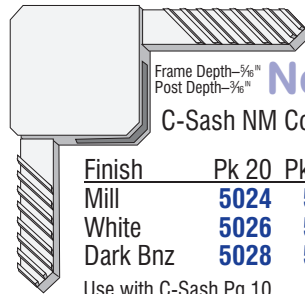
Finish	Pk 20	Pk 100
White	5016	5017
Beige	5018	5019
Bronze	5030	5031

Designed to fit Andersen® screen frame



No Mitre Screen Corners

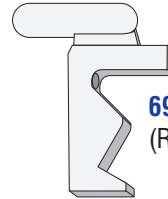
Finish	Pk 20	Pk 100
Gray	3060	3061
White	3062	3063
Black	3064	3065



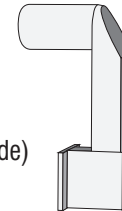
Frame Depth- $\frac{3}{16}$ "
Post Depth- $\frac{3}{16}$ " **New**
C-Sash NM Corner

Finish	Pk 20	Pk 100
Mill	5024	5025
White	5026	5027
Dark Bnz	5028	5029

Use with C-Sash Pg 10.

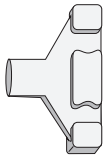


6923 Tilt Key
(Right or Left Side)



Depth- $\frac{3}{16}$ "

E
Tilt Key
5901 20 pk
5902 100 pk
(Right or Left Side)
Use with:
5800 Corner Keys



6129 Anti-Rattle Pin

Use with:
5800 Corner Keys
5901 Tilt Key

